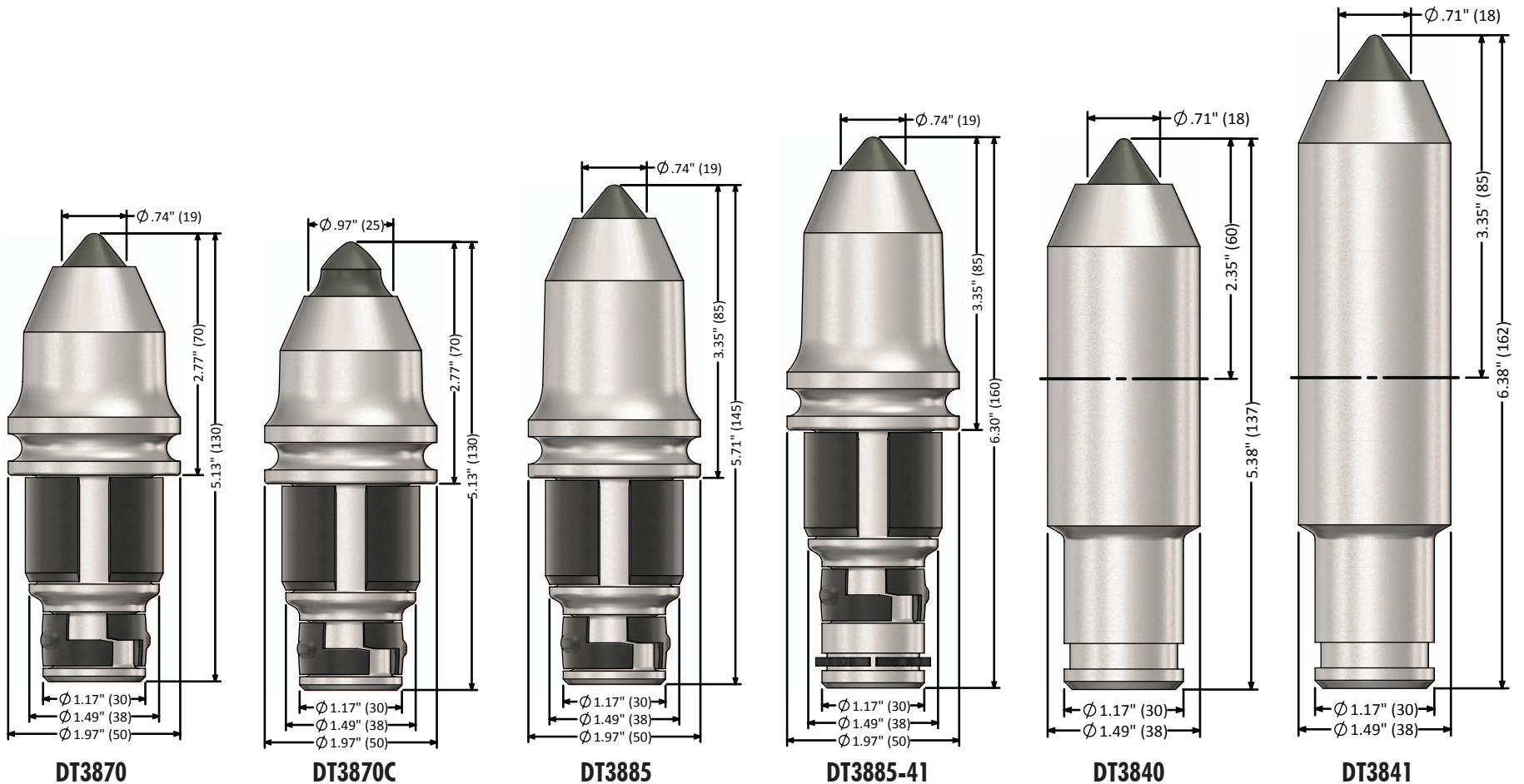
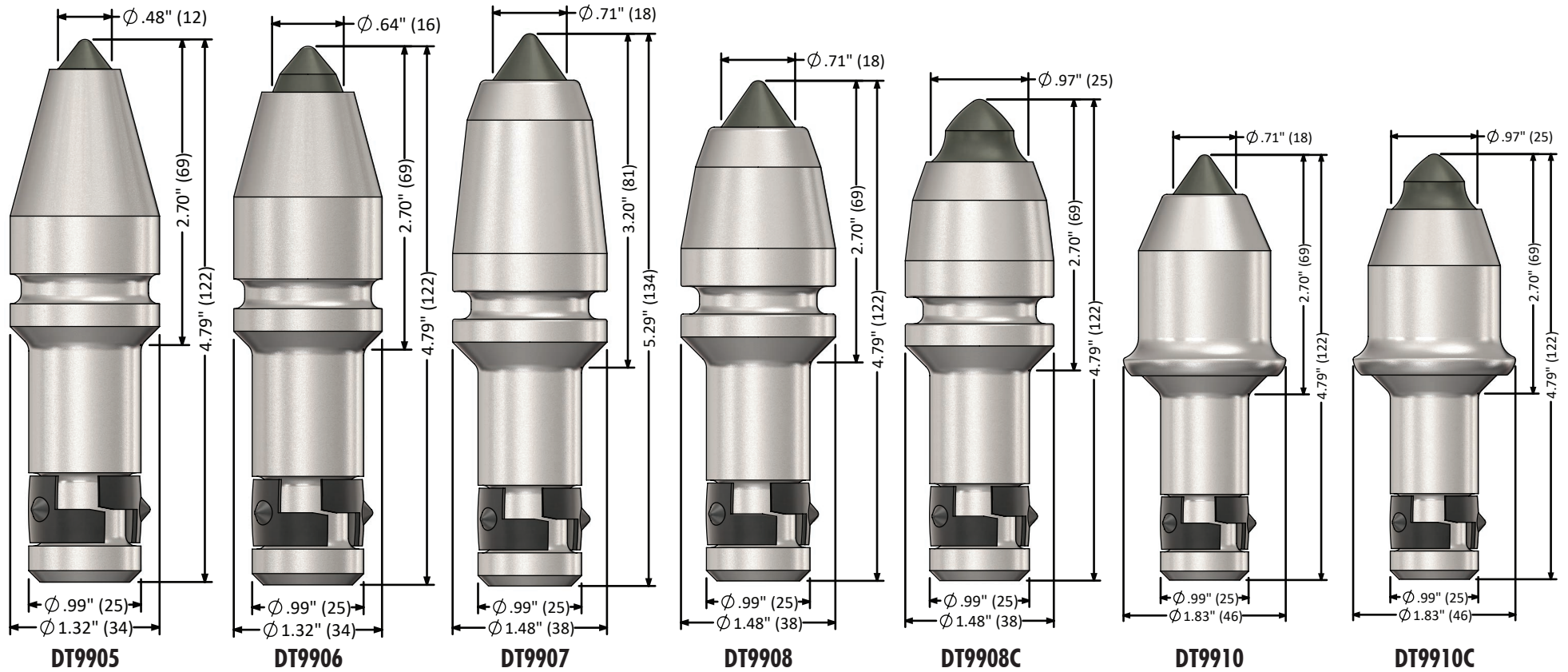


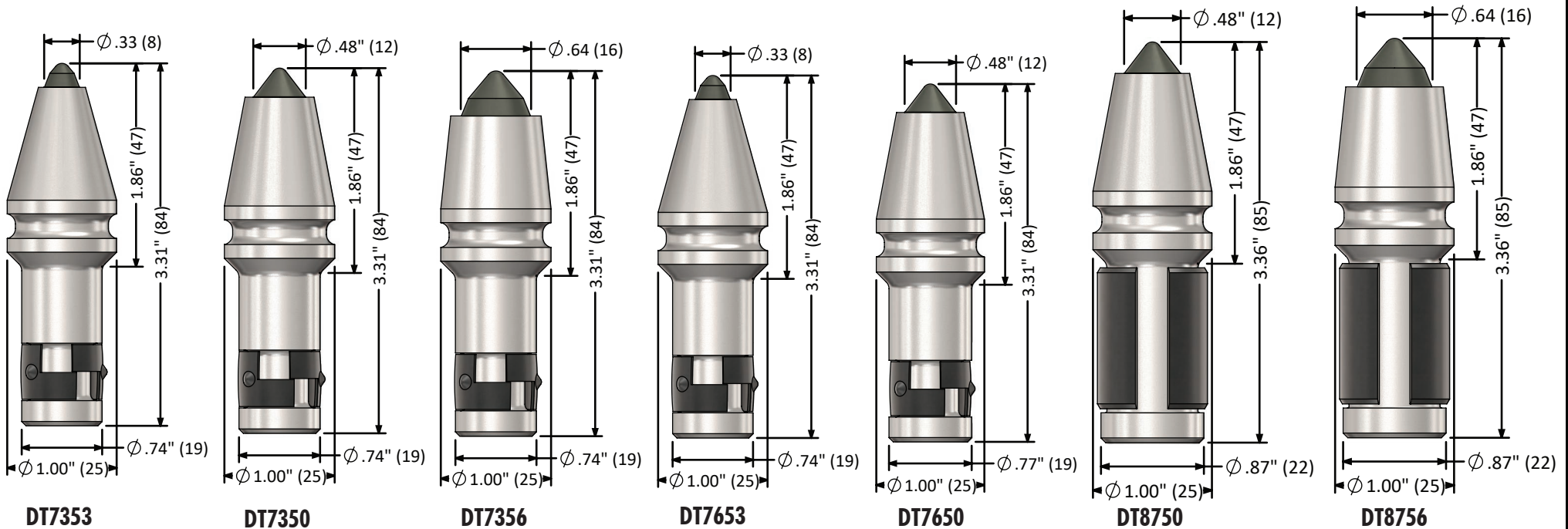
1.5" (30/38mm) Conical Carbide Tool Series



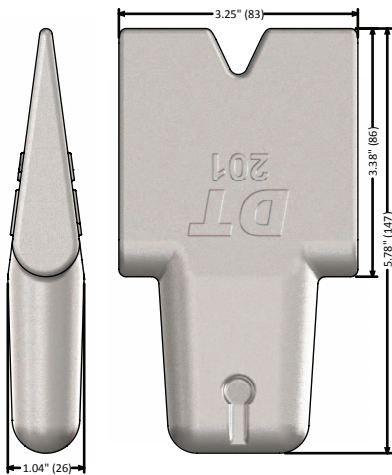
1" (25mm) Conical Carbide Tool Series



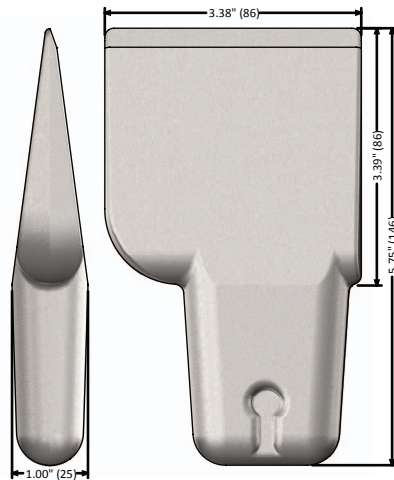
.735" (19mm) .765" (19mm) .875" (22mm) Conical Carbide Tool Series



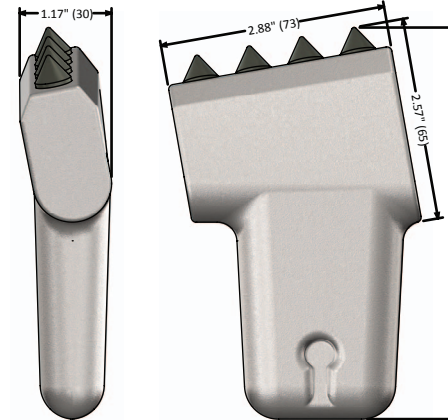
Conical Shank & Taper Fit Designs



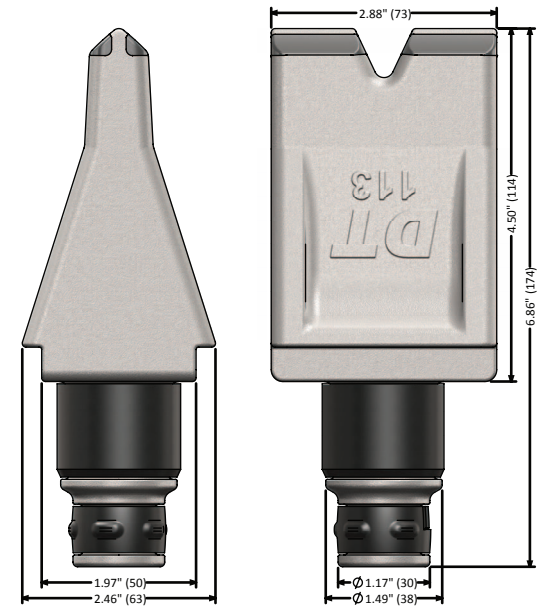
DT201



DT211

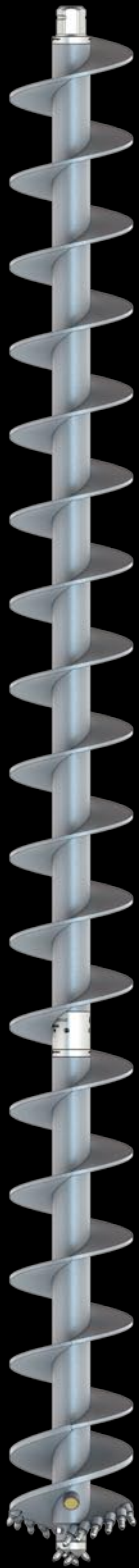


DT225



DT113

DRILLTOOLS™ NEW PILOT BIT SERIES, designed specifically for the foundation drilling industry.



BOLT-ON & THREAD-ON PILOT BITS

O.D. Inch	O.D. mm	Description	P/N	I.D. Size/Type
9.00	230	RPA Rock Pilot - L	100050	4.00" Sq Male
7.00	203	RPA Rock Pilot - S	100051	4.00" Sq Male
7.25	184	RP990 Rock Pilot	100039	2.50" Sq Male
7.25	184	RP990 Rock Pilot	100041	2.3/8 API Male Thread
7.25	184	RP990 Rock Pilot	100120	2.7/8 API Male Thread
10.0	254	DT1040 Dirt Pilot	100041	4.00" Sq Male
8.00	203	DT1025 Dirt Pilot	100121	2.50" Sq Male
6.00	152	DT6175 Dirt Pilot	100411	1.75" Sq Male



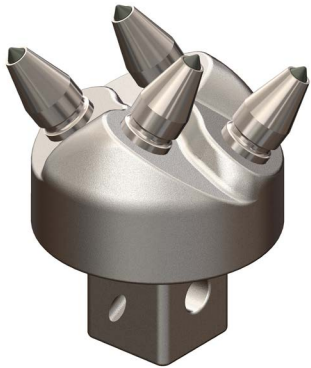
WELD-ON PILOT ADAPTERS

O.D. Inch	O.D. mm	Description	P/N	I.D. Size/Type
8.00	200	Weld-On Adapter	100032	4.00" Sq FM
7.00	177	Weld-On Adapter	100034	4.00" Sq FM
6.00	152	Weld-On Adapter	100045	2.50" Sq FM
3.50	89	Weld-On Adapter	100412	1.75" Sq FM

DRILLTOOLS™
QUALITY DRILLING PRODUCTS

4001 Enterprise Street
Kilgore, Texas, USA 75662
1-855-90DRILL
Fax: 903-986-3743

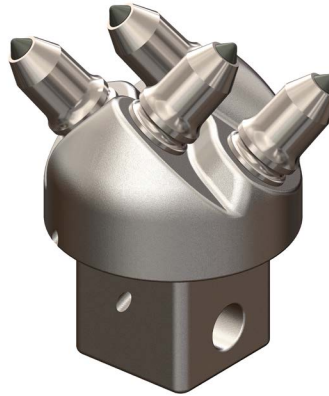
drilltoolsinc.com



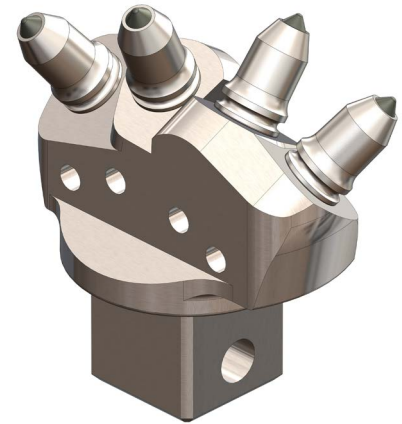
DT990



DT990CP



DTRP4



DTRP4 IL



DT113 DP



DT3885-41 DP



DT1000



DT1040